



**KICKER**<sup>®</sup>

---

**L7QB8** | SUBWOOFER/ENCLOSURE

## L7QB8 Subwoofer & Enclosure

Owner's Manual | English

Manual del Propietario | Español  
CAJA DE SUBWOOFER L7QB8

Benutzerhandbuch | Deutsch  
L7QB8 TIEFTÖNER GEHÄUSE

Manuel d'utilisation | Française  
CAISSON DE GRAVES L7QB8

# KICKER®

# L7QB8

Authorized KICKER Dealer: \_\_\_\_\_

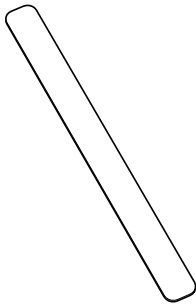
Purchase Date: \_\_\_\_\_

Serial Number: \_\_\_\_\_

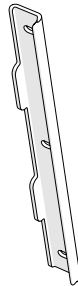
## CONTENTS | CONTENIDO | INHALT | CONTENU



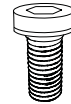
x 1



x 2



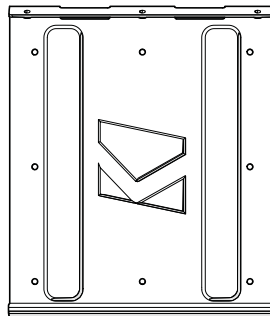
x 1



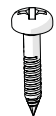
x 3



x 1

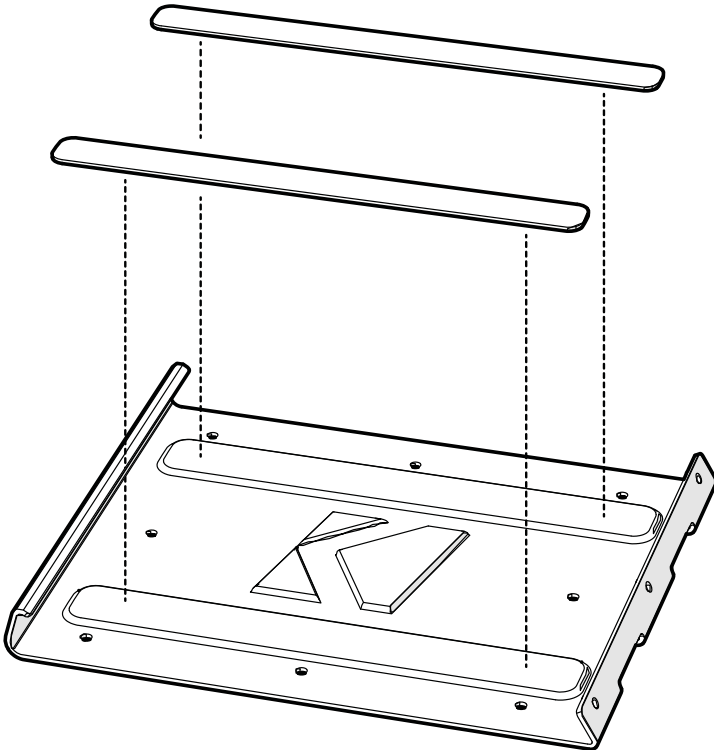
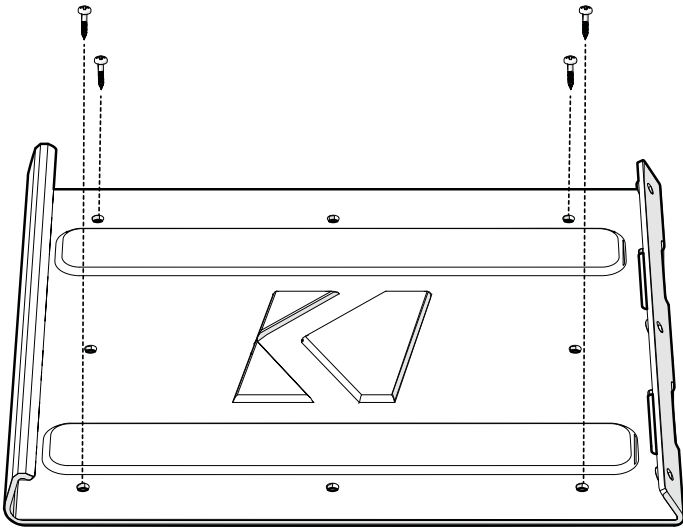


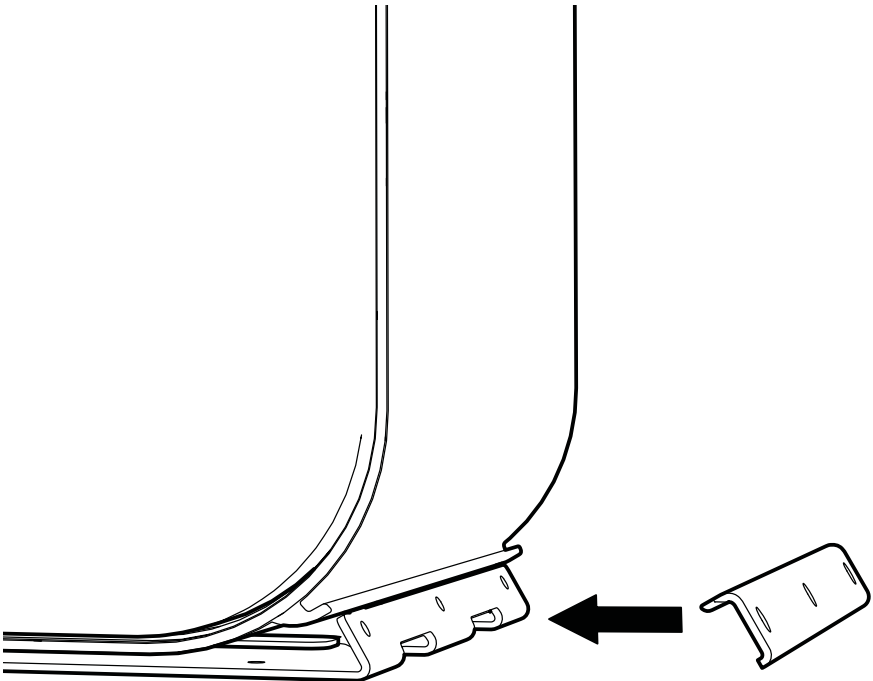
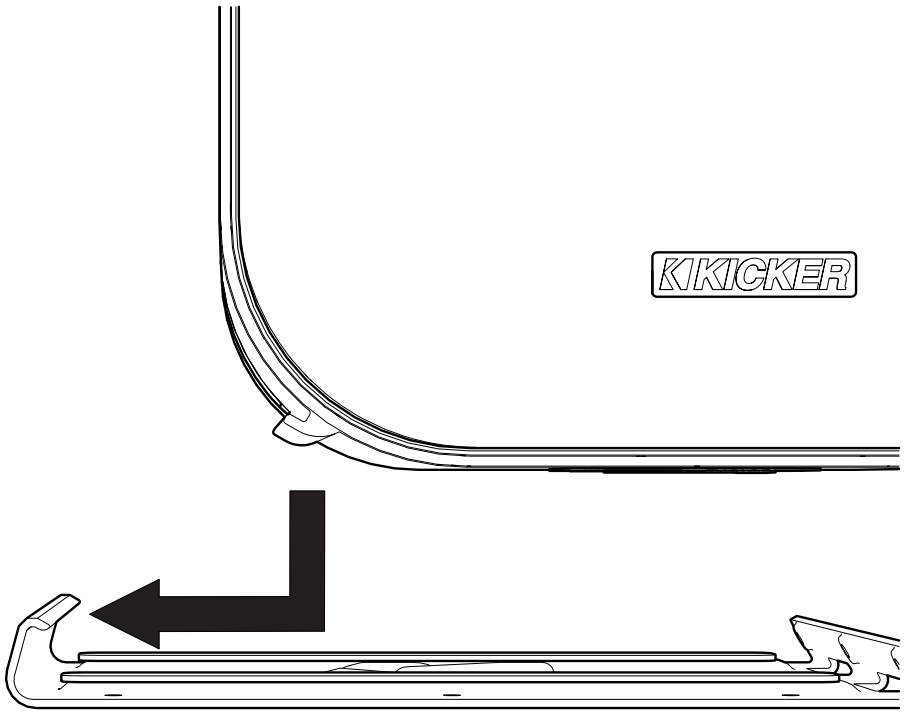
x 1

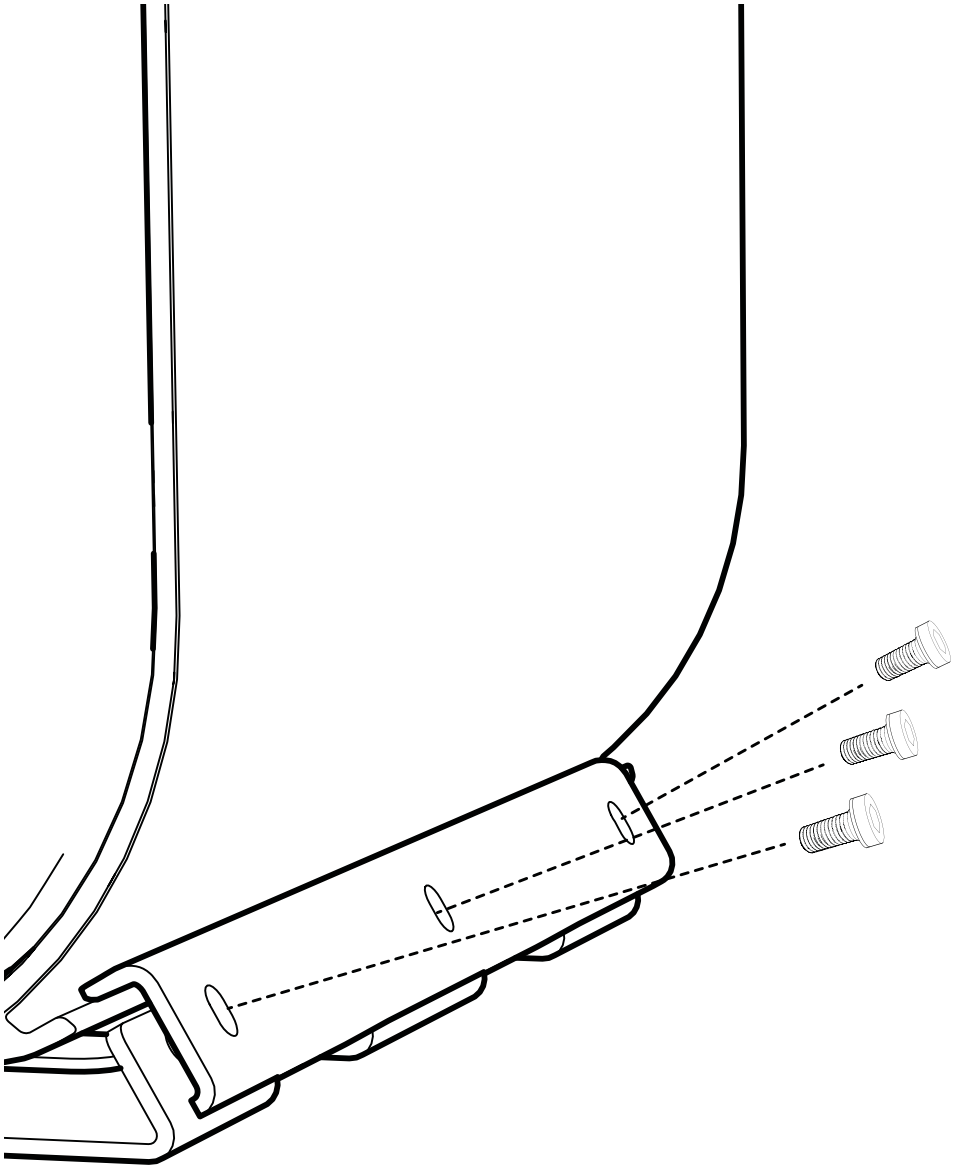


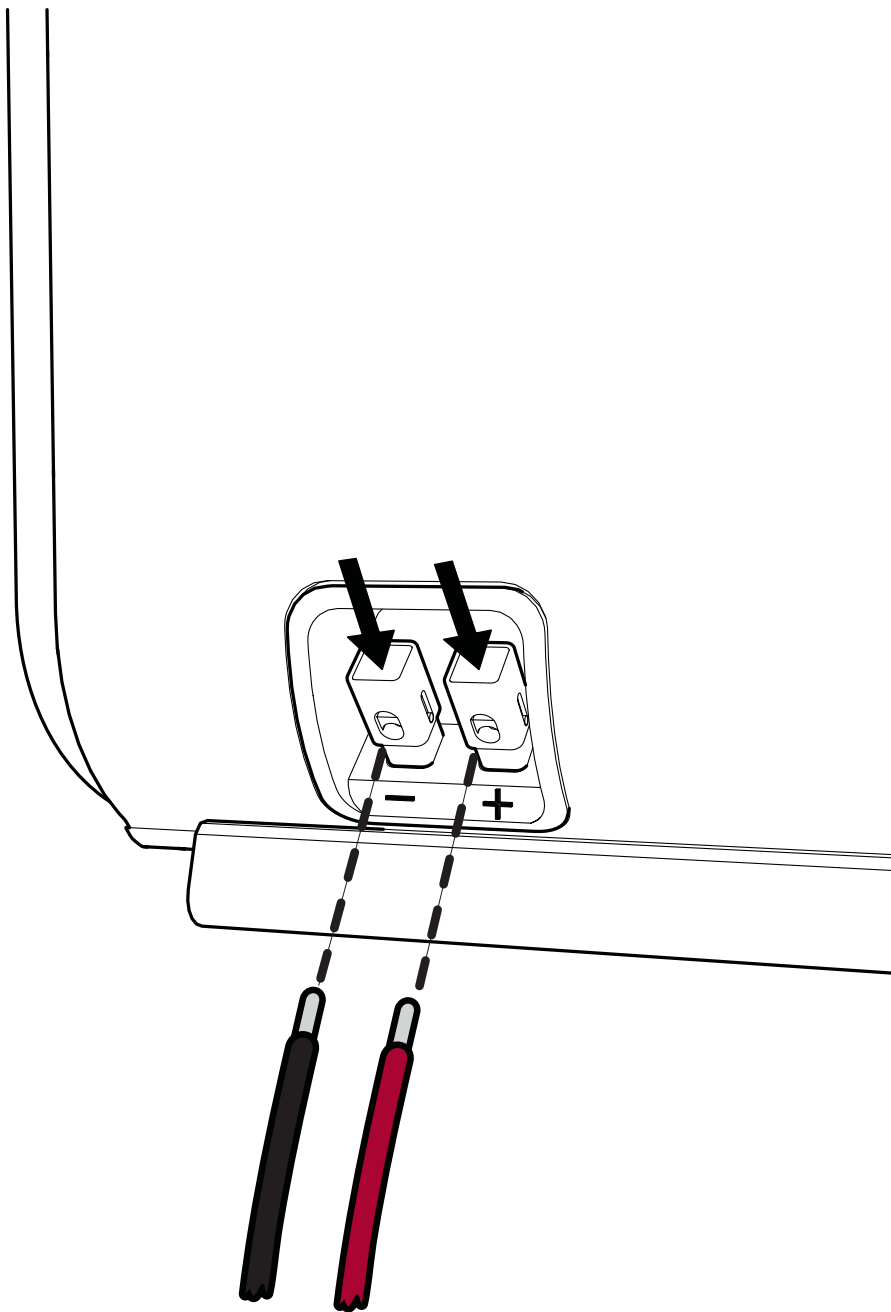
x 6

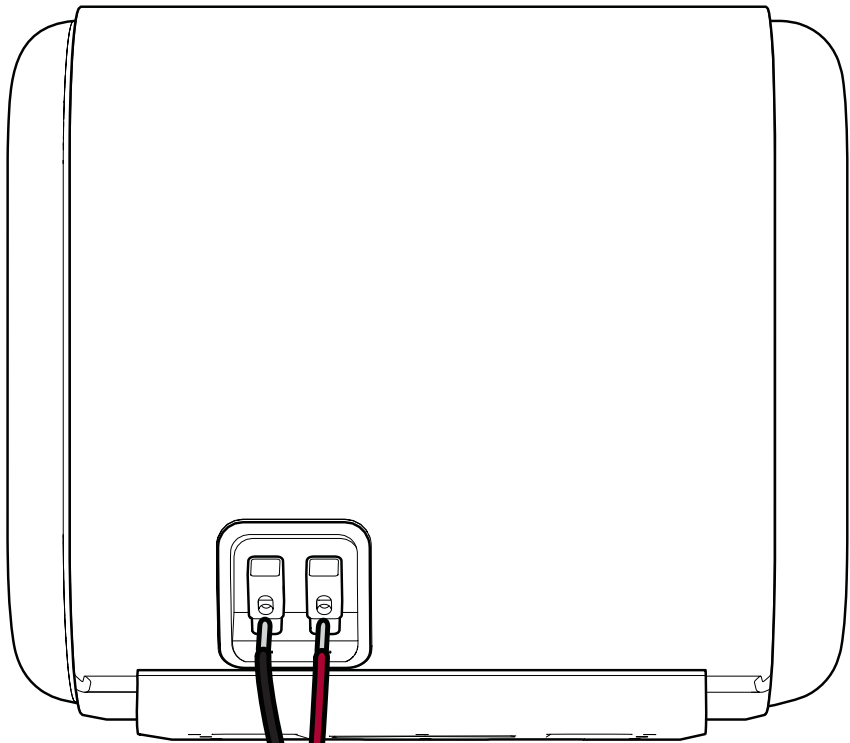
# INSTALLATION | INSTALACIÓN



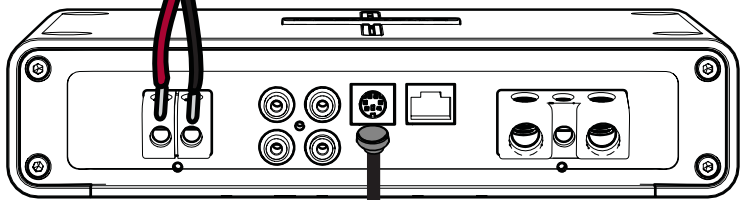








IQ DSP Amp



IQI Bluetooth® Interface



## SPECIFICATIONS

<b>Model</b>	<b>L7QB8</b>
Rated Impedance [ $\Omega$ ]	2
Sensitivity [1W, 1m]	86.2 dB
Continuous Power Handling [Watts RMS]	500
Enclosure Height [in, cm]	9-9/16, 24.2
Enclosure Width [in, cm]	9-5/16, 23.6
Enclosure Depth [in, cm]	10-13/16, 27.5

WARNING: KICKER products are capable of producing sound levels that can permanently damage your hearing! Turning up a system to a level that has audible distortion is more damaging to your ears than listening to an undistorted system at the same volume level. The threshold of pain is always an indicator that the sound level is too loud and may permanently damage your hearing. Please use common sense when controlling volume.

IMPORTANT SAFETY WARNING – PROLONGED CONTINUOUS OPERATION OF AN AMPLIFIER IN A DISTORTED OR CLIPPED MANNER CAN CAUSE YOUR AUDIO SYSTEM TO OVERHEAT, POSSIBLY CATCHING FIRE AND RESULTING IN SERIOUS DAMAGE TO YOUR COMPONENTS AND/OR VEHICLE.

## ESPECIFICACIONES

<b>Modelo</b>	<b>L7QB8</b>
Impedancia nominal [ $\Omega$ ]	2
Sensibilidad [1W, 1 m]	86.2 dB
Potencia continua [Vatios RMS]	500
Altura del gabinete [pul., cm.]	9-9/16, 24.2
Ancho del gabinete [pul., cm.]	9-5/16, 23.6
Profundidad del gabinete [pul., cm.]	10-13/16, 27.5

ADVERTENCIA: Los excitadores Kicker son capaces de producir niveles de sonido que pueden dañar permanentemente el oído. Subir el volumen del sistema hasta un nivel que produzca distorsión es más dañino para el oído que escuchar un sistema sin distorsión al mismo volumen. El dolor es siempre una indicación de que el sonido es muy fuerte y que puede dañar permanentemente el oído. Sea precavido cuando controle el volumen.

AVISO DE SEGURIDAD IMPORTANTE - LA OPERACIÓN CONTINUA Y PROLONGADA DE UN AMPLIFICADOR DE MANERA DISTORSIONADA O ENTRECORTADA, PUEDE SOBRECALENTAR EL SISTEMA DE AUDIO, PROVOCAR POSIBLES RIESGOS DE INCENDIOS Y GENERAR GRAVES DAÑOS A SUS COMPONENTES Y/O VEHÍCULO.



## TECHNISCHE DATEN

<b>Modell</b>	<b>L7QB8</b>
Nennimpedanz [ $\Omega$ ]	2
Empfindlichkeit [1W, 1m]	86,2 dB
Durchgehende Belastbarkeit [Watt RMS]	500
Gehäusehöhe [in, cm]	9-9/16, 24,2
Gehäusebreite [in, cm]	9-5/16, 23,6
Gehäusetiefe [in, cm]	10-13/16, 27,5

WARNUNG: KICKER-Treiber können einen Schallpegel erzeugen, der zu permanenten Gehörschäden führen kann! Wenn Sie ein System auf einen Pegel stellen, der hörbare Verzerrungen erzeugt, schadet das Ihren Ohren mehr, als ein nicht verzerrtes System auf dem gleichen Lautstärkepegel. Die Schmerzschwelle ist immer eine Anzeige dafür, dass der Schallpegel zu laut ist und zu permanenten Gehörschäden führen kann. Seien Sie bei der Lautstärkeeinstellung bitte vernünftig!

WICHTIGER SICHERHEITSHINWEIS: EIN LÄNGERER, DURCHGEHENDER BETRIEB EINES VERSTÄRKERS MIT VERZERRUNGEN ODER CLIPPING KANN ZU ÜBERHITZUNG IHRES AUDIOSYSTEMS FÜHREN, DADURCH KANN ES FEUER FANGEN UND SOMIT SCHWERE SCHÄDEN AN IHREN KOMPONENTEN UND/ODER IHREM FAHRZEUG VERURSACHEN.

## CARACTÉRISTIQUES

<b>Modèle</b>	<b>L7QB8</b>
Impédance nominale [ $\Omega$ ]	2
Sensibilité [1W, 1m]	86,2 dB
Puissance continue [Watts RMS]	500
Hauteur du boîtier [po ; cm]	9-9/16, 24,2
Largeur du boîtier [po ; cm]	9-5/16, 23,6
Profondeur du boîtier [po ; cm]	10-13/16, 27,5

AVERTISSEMENT: Les haut-parleurs Kicker ont la capacité de produire des niveaux sonores pouvant endommager l'ouïe de façon irréversible ! L'augmentation du volume d'un système jusqu'à un niveau présentant une distorsion audible endommage davantage l'ouïe que l'écoute d'un système sans distorsion au même volume. Le seuil de la douleur est toujours le signe que le niveau sonore est trop élevé et risque d'endommager l'ouïe de façon irréversible. Réglez le volume en faisant preuve de bon sens !

CONSIGNES DE SÉCURITÉ IMPORTANTES : L'UTILISATION PROLONGÉE D'UN AMPLIFICATEUR DE FAÇON DÉFORMÉE OU ECRÉTÉE PEUT PROVOQUER UNE SURCHAUFFE DE VOTRE SYSTÈME AUDIO, D'OÙ UN RISQUE D'INCENDIE OU DE GRAVES DOMMAGES SUR VOS COMPOSANTS ET/OU VOTRE VÉHICULE.

## Q-CLASS ACOUSTICS LIMITED WARRANTY

When purchased from an Authorized KICKER Dealer, KICKER warrants Q-Class KICKER products to be free from defects in material and workmanship for THREE (3) YEARS from date of original purchase with receipt. In all cases you must have the original receipt. Should service be necessary under this warranty for any reason due to manufacturing defect or malfunction during the warranty period, Kicker will repair or replace (at its discretion) the defective merchandise with equivalent merchandise at no charge. Warranty replacements may have cosmetic scratches and blemishes. Discontinued products may be replaced with more current equivalent products.

This warranty is valid only for the original purchaser and is not extended to owners of the product subsequent to the original purchaser. Any applicable implied warranties are limited in duration to a period of the express warranty as provided herein beginning with the date of the original purchase at retail, and no warranties, whether express or implied, shall apply to this product thereafter. Some states do not allow limitations on implied warranties; therefore these exclusions may not apply to you. This warranty gives you specific legal rights; however you may have other rights that vary from state to state.

### WHAT TO DO IF YOU NEED WARRANTY OR SERVICE:

Defective merchandise should be returned to your local Authorized Stillwater Designs (KICKER) Dealer for warranty service. Assistance in locating an Authorized Dealer can be found at [www.kicker.com](http://www.kicker.com) or by contacting Stillwater Designs directly. You can confirm that a dealer is authorized by asking to see a current authorized dealer window decal.

If it becomes necessary for you to return defective merchandise directly to Stillwater Designs (KICKER), call the KICKER Customer Service Department at (405) 624-8510 for a Return Merchandise Authorization (RMA) number. Package only the defective items in a package that will prevent shipping damage, and return to:

**Stillwater Designs, 3100 North Husband St, Stillwater, OK 74075**

The RMA number must be clearly marked on the outside of the package. Please return only defective component systems. The return of functioning items increases your return freight charges. Non-defective items will be returned freight collect to you. For example, if a subwoofer is defective, only return the defective subwoofer, not the entire enclosure. Include a copy of the original receipt with the purchase date clearly visible, and a "proof-of-purchase" statement listing the Customer's name, Dealer's name and invoice number, and product purchased. Warranty expiration on items without proof-of-purchase will be determined from the type of sale and manufacturing date code. Freight must be prepaid; items sent freight-collect, or COD, will be refused.

### WHAT IS NOT COVERED?

This warranty is valid only if the product is used for the purpose for which it was designed. It does not cover:

- o Damage due to improper installation
  - o Subsequent damage to other components
  - o Damage caused by exposure to moisture, excessive heat, chemical cleaners, and/or UV radiation
  - o Damage through negligence, misuse, accident or abuse.
- Repeated returns for the same damage may be considered abuse
- o Any cost or expense related to the removal or reinstallation of product
  - o Speakers damaged due to amplifier clipping or distortion
  - o Items previously repaired or modified by any unauthorized repair facility
  - o Return shipping on non-defective items
  - o Products with tampered or missing barcode labels
  - o Products with tampered or missing serial numbers
  - o Products returned without a Return Merchandise Authorization (RMA) number
  - o Products purchased from an UNAUTHORIZED dealer
  - o Freight Damage
  - o The cost of shipping product to KICKER
  - o Service performed by anyone other than KICKER

P.O. Box 459 • Stillwater, Oklahoma 74076 • USA • (405) 624-8510

43L7QB8+F-20151009



## HOW LONG WILL IT TAKE?

KICKER strives to maintain a goal of one-week service for all acoustics (subwoofers, midrange drivers, tweeters, crossovers, etc) returns. Delays may be incurred if lack of replacement inventory or parts is encountered. Failure to follow these steps may void your warranty. Any questions can be directed to the KICKER Customer Service Department at (405) 624-8510. Contact your International KICKER dealer or distributor concerning specific procedures for your country's warranty policies.

## INTERNATIONAL WARRANTY

Contact your International Kicker dealer or distributor concerning specific procedures for your country's warranty policies.

Our goods come with guarantees that cannot be excluded under the Australian Consumer Law. You are entitled to a replacement or refund for a major failure and for compensation for any other reasonably foreseeable loss or damage. You are also entitled to have the goods repaired or replaced if the goods fail to be of acceptable quality and the failure does not amount to a major failure.

### GARANTÍA INTERNACIONAL

#### ***Versión Español***

Comuníquese con su concesionario o distribuidor Kicker internacional para obtener información sobre procedimientos específicos relacionados con las normas de garantía de su país.

La frase "combustible para vivir la vida Livin' Loud™ a todo volumen" se refiere al entusiasmo por la vida que la marca Kicker de estéreos de automóvil representa y a la recomendación a nuestros clientes de que vivan lo mejor posible ("a todo volumen") en todo sentido. La línea de altavoces y amplificadores Kicker es la mejor del mercado de audio de automóviles y por lo tanto representa el "combustible" para vivir a todo volumen en el área de "estéreos de automóvil" de la vida de nuestros clientes. Recomendamos a todos nuestros clientes que obedezcan todas las reglas y reglamentos locales sobre ruido en cuanto a los niveles legales y apropiados de audición fuera del vehículo.

### INTERNATIONALE GARANTIE

#### ***Deutsche Version***

Nehmen Sie mit Ihren internationalen Kicker-Fachhändler oder Vertrieb Kontakt auf, um Details über die Garantieleistungen in Ihrem Land zu erfahren.

Der Slogan "Treibstoff für Livin' Loud" bezieht sich auf die mit den Kicker-Autostereosystemen assoziierte Lebensfreude und die Tatsache, dass wir unsere Kunden ermutigen, in allen Aspekten ihres Lebens nach dem Besten ("Livin' Loud") zu streben. Die Lautsprecher und Verstärker von Kicker sind auf dem Markt für Auto-Soundsysteme führend und stellen somit den "Treibstoff" für das Autostereoeerlebnis unserer Kunden dar. Wir empfehlen allen unseren Kunden, sich bezüglich der zugelassenen und passenden Lautstärkepegel außerhalb des Autos an die örtlichen Lärmvorschriften zu halten.

### GARANTIE INTERNATIONALE

#### ***Version Française***

Pour connaître les procédures propres à la politique de garantie de votre pays, contactez votre revendeur ou distributeur International Kicker.

L'expression "carburant pour vivre plein pot" fait référence au dynamisme de la marque Kicker d'équipements audio pour véhicules et a pour but d'encourager nos clients à faire le maximum ("vivre plein pot") dans tous les aspects de leur vie. Les haut-parleurs et amplificateurs Kicker sont les meilleurs dans le domaine des équipements audio et représentent donc pour nos clients le "carburant pour vivre plein pot" dans l'aspect "installation audio de véhicule" de leur vie. Nous encourageons tous nos clients à respecter toutes les lois et réglementations locales relatives aux niveaux sonores acceptables à l'extérieur des véhicules.



P.O. Box 459 • Stillwater, Oklahoma 74076 • USA • (405) 624-8510





©2015 Stillwater Designs