

# KICKER®

---



*SUBWOOFER ENCLOSURES*

## **Q-CLASS**

**DL712 | TL710 | VL712**

Owner's Manual | English

Manual del Propietario | Español  
CAJA DE SUBWOOFER L7

Benutzerhandbuch | Deutsch  
L7 TIEFTÖNER GEHÄUSE

Manuel d'utilisation | Française  
CAISSON DE GRAVES L7





## L7 SUBWOOFER ENCLOSURE OWNER'S MANUAL

Models: **DL712 | TL710 | VL712**

Authorized KICKER Dealer: \_\_\_\_\_

Purchase Date: \_\_\_\_\_

Speaker Model Number: \_\_\_\_\_

Speaker Serial Number: \_\_\_\_\_

**Note:** All specifications and performance figures are subject to change. Please visit [www.kicker.com](http://www.kicker.com) for the most current information. To get the best performance from your new KICKER Subwoofer Enclosure, we recommend using genuine KICKER Accessories and Wiring. Please allow two weeks of break-in time for the subwoofer to reach optimum performance. The use of a subsonic filter will significantly increase power handling. The power handling specification in this chart is calculated using a 25Hz, 24dB/octave subsonic filter.

**Sound Check:** *Poor bass response?* Check the system phasing by reversing the positive and negative speaker connections on the enclosure. If the bass improves, then the subwoofer was out of phase in reference to the rest of the audio system.

### SPECIFICATIONS

<b>Model</b>	<b>TL710</b>	<b>VL712</b>	<b>DL712</b>
Rated Impedance [ $\Omega$ ]	2	2	2
Sensitivity [1W, 1m]	85.9	86.9	89.9
Continuous Power Handling [Watts RMS]	750	900	1800
Enclosure Depth 1 [in, cm]	7-3/8, 19	10-1/2, 26.7	12-7/8, 32.7
Enclosure Depth 2 [in, cm]	11, 28	16-7/8, 43	19-1/4, 49
Enclosure Height [in, cm]	15-1/4, 38.7	15-7/8, 40.2	15-7/8, 40.2
Enclosure Width [in, cm]	21-1/2, 54.6	20-1/2, 52	33-3/4, 85.7
Frequency Response [Hz]	28–100	24–100	20–100

**Pro Tip:** With a KICKER IQ amplifier, a pair of KICKER QS speakers, and a few KICKER cables, you're looking at a full system upgrade that will dominate! KICKER amplifiers and accessories make it easy to upgrade with your existing or stock source unit. Ask your dealer about KICKER amplifiers and speaker upgrades to complete your system!

Variable Cross-Section Elastomeric Surrounds (Increased Excursion)

Stitched Surround & Cone for Maximum Bond Strength

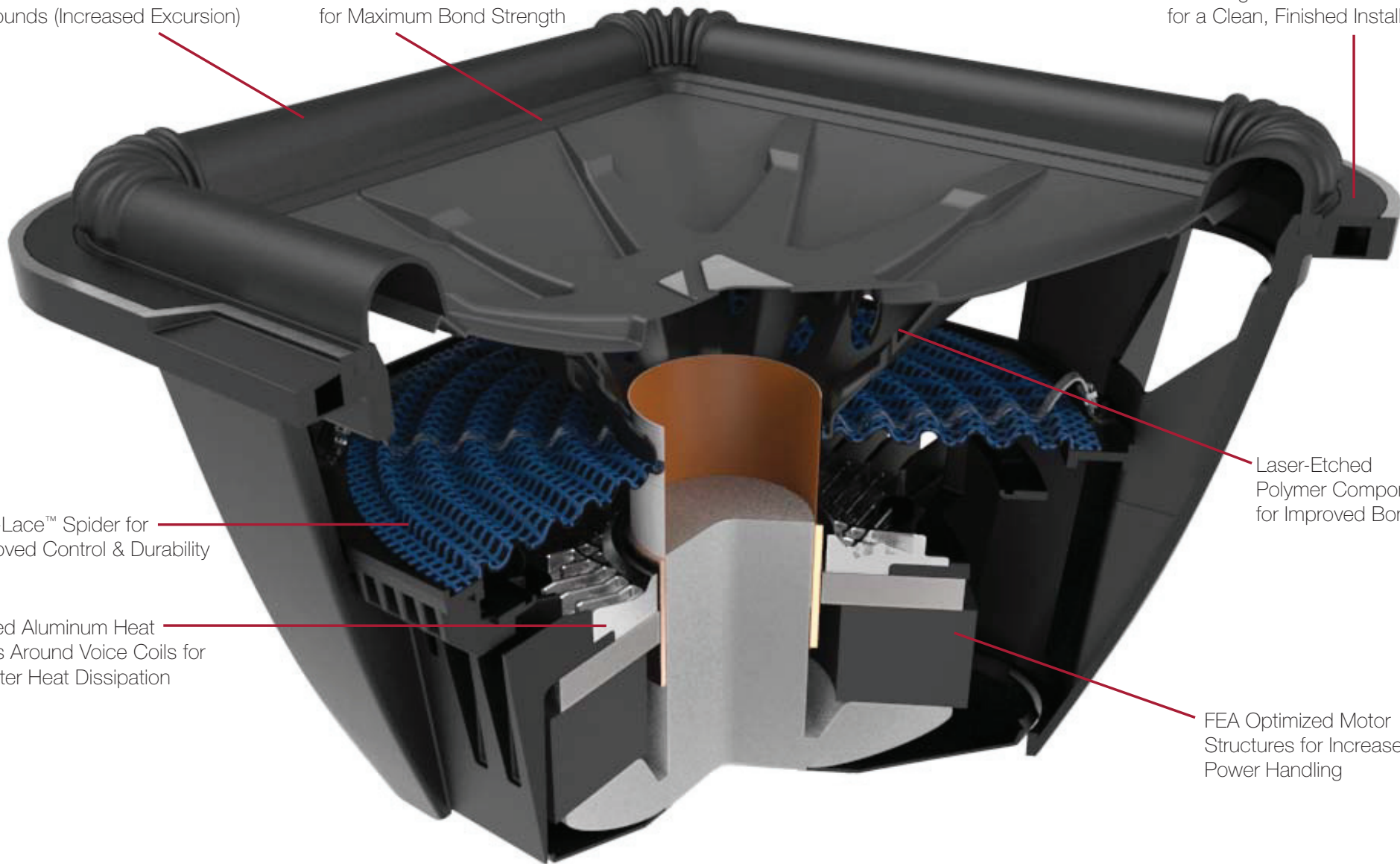
Mounting Hardware Covers for a Clean, Finished Installation

Blue-Lace™ Spider for Improved Control & Durability

Finned Aluminum Heat Sinks Around Voice Coils for Greater Heat Dissipation

Laser-Etched Polymer Components for Improved Bond

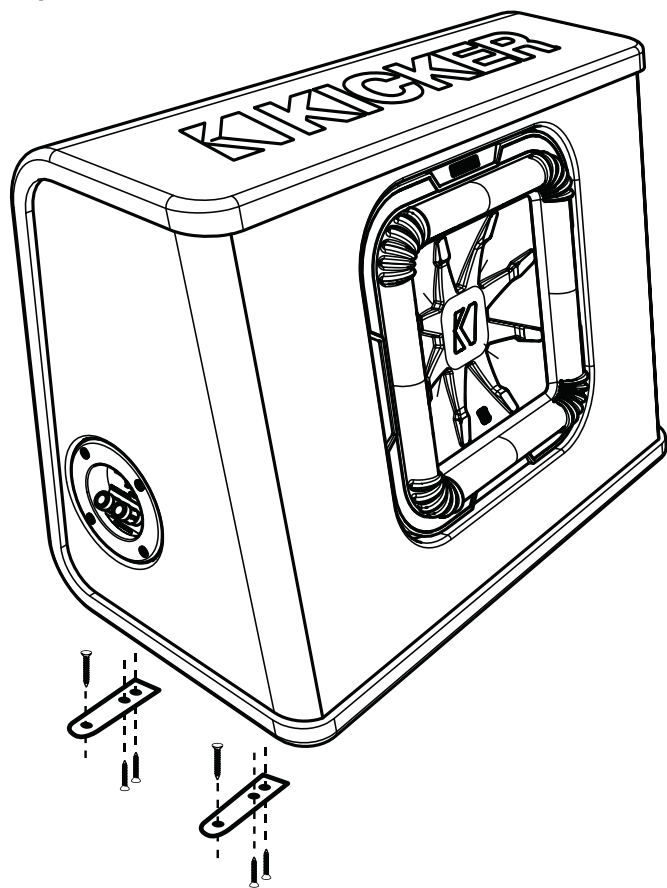
FEA Optimized Motor Structures for Increased Power Handling



## WIRING

The L7 subwoofer enclosures are internally wired for a 2 ohm load at the speaker-wire connection terminal. Check to see if your amplifier is optimized to drive this load. The L7 enclosures combine KICKER's award-winning line of square subwoofers with computer-modeled and human fine-tuned enclosures for optimal performance in a ready-to-install subwoofer system. The VL712 enclosure features a 12 inch L7 subwoofer, the TL710 enclosure features a 10 inch L7 Subwoofer, and the DL712 enclosure features two 12 inch L7 subwoofers.

**Subwoofer grills sold separately  
at your local KICKER dealer**



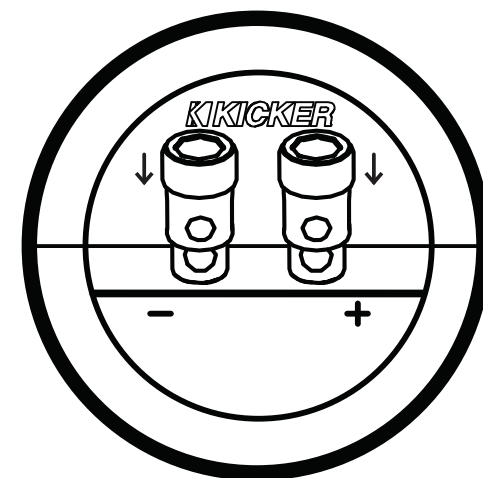
## MOUNTING

Mount the brackets to the bottom of the enclosure using the supplied smaller screws. Securely attach the enclosure to the vehicle with the supplied larger screws.

To avoid potential injury or possible death from forward movement of the enclosure during abrupt stops or accidents, the enclosure must be properly installed and securely fastened to your vehicle. You are solely responsible for securely fastening the enclosure in your vehicle.

**WARNING:** KICKER products are capable of producing sound levels that can permanently damage your hearing! Turning up a system to a level that has audible distortion is more damaging to your ears than listening to an undistorted system at the same volume level. The threshold of pain is always an indicator that the sound level is too loud and may permanently damage your hearing. Please use common sense when controlling volume.

**IMPORTANT SAFETY WARNING – PROLONGED CONTINUOUS OPERATION OF AN AMPLIFIER IN A DISTORTED OR CLIPPED MANNER CAN CAUSE YOUR AUDIO SYSTEM TO OVERHEAT, POSSIBLY CATCHING FIRE AND RESULTING IN SERIOUS DAMAGE TO YOUR COMPONENTS AND/OR VEHICLE.**



## **Q-CLASS ACOUSTICS LIMITED WARRANTY**

When purchased from an Authorized KICKER Dealer, KICKER warrants Q-Class KICKER products to be free from defects in material and workmanship for THREE (3) YEARS from date of original purchase with receipt. In all cases you must have the original receipt. Should service be necessary under this warranty for any reason due to manufacturing defect or malfunction during the warranty period, Kicker will repair or replace (at its discretion) the defective merchandise with equivalent merchandise at no charge. Warranty replacements may have cosmetic scratches and blemishes. Discontinued products may be replaced with more current equivalent products.

This warranty is valid only for the original purchaser and is not extended to owners of the product subsequent to the original purchaser. Any applicable implied warranties are limited in duration to a period of the express warranty as provided herein beginning with the date of the original purchase at retail, and no warranties, whether express or implied, shall apply to this product thereafter. Some states do not allow limitations on implied warranties; therefore these exclusions may not apply to you. This warranty gives you specific legal rights; however you may have other rights that vary from state to state.

### **WHAT TO DO IF YOU NEED WARRANTY OR SERVICE**

Defective merchandise should be returned to your local Authorized Stillwater Designs (Kicker) Dealer for warranty service. Assistance in locating an Authorized Dealer can be found at [www.kicker.com](http://www.kicker.com) or by contacting Stillwater Designs directly. You can confirm that a dealer is authorized by asking to see a current authorized dealer window decal. If it becomes necessary for you to return defective merchandise directly to Stillwater Designs (Kicker), call the Kicker Customer Service Department at (405) 624-8510 for a Return Merchandise Authorization (RMA) number. Package all defective items in the original container or in a package that will prevent shipping damage, and return to:

Stillwater Designs, 3100 North Husband Road, Stillwater, OK 74075

The RMA number must be clearly marked on the outside of the package. Please return only defective components. The return of functioning items increases your return freight charges. Non-defective items will be returned freight-collect to you. Include a copy of the original receipt with the purchase date clearly visible, and a "proof-of-purchase" statement listing the Customer's name, Dealer's name and invoice number, and product purchased. Warranty expiration on items without proof-of-purchase will be determined from the type of sale and manufacturing date code. Freight must be prepaid; items sent freight-collect, or COD, will be refused.

### **WHAT IS NOT COVERED?**

This warranty is valid only if the product is used for the purpose for which it was designed. It does not cover:

Damage due to improper installation  
Speakers damaged due to amplifier clipping or distortion  
Any cost or expense related to the removal or reinstallation of product  
Products returned without a Return Merchandise Authorization (RMA) number  
Items previously repaired or modified by any unauthorized repair facility  
Damage caused by exposure to moisture, excessive heat, chemical cleaners, and/or UV radiation  
Damage through negligence, misuse, accident or abuse. Repeated returns for the same damage may be considered abuse

Freight Damage  
Return shipping on non-defective items  
Products with tampered or missing barcode labels  
Products purchased from an UNAUTHORIZED dealer

Subsequent damage to other components  
Service performed by anyone other than KICKER  
Products with tampered or missing serial numbers  
The cost of shipping product to KICKER

### **HOW LONG WILL IT TAKE?**

Kicker strives to maintain a goal of one week for turnaround on service of all acoustics (subwoofers, midrange and coaxial drivers, tweeters, crossovers etc) returns. Delays may be incurred if lack of replacement inventory or parts is encountered. Failure to follow these steps may void your warranty. Any questions can be directed to the Kicker Customer Service Department at (405) 624-8510.



## ***International Warranty***

Contact your International Kicker dealer or distributor concerning specific procedures for your country's warranty policies.

Our goods come with guarantees that cannot be excluded under the **Australian Consumer Law**. You are entitled to a replacement or refund for a major failure and for compensation for any other reasonably foreseeable loss or damage. You are also entitled to have the goods repaired or replaced if the goods fail to be of acceptable quality and the failure does not amount to a major failure.

### **GARANTÍA INTERNACIONAL**

#### ***Versión Español***

Comuníquese con su concesionario o distribuidor Kicker internacional para obtener información sobre procedimientos específicos relacionados con las normas de garantía de su país.

ADVERTENCIA: Los excitadores Kicker son capaces de producir niveles de sonido que pueden dañar permanentemente el oído. Subir el volumen del sistema hasta un nivel que produzca distorsión es más dañino para el oído que escuchar un sistema sin distorsión al mismo volumen. El dolor es siempre una indicación de que el sonido es muy fuerte y que puede dañar permanentemente el oído. Sea precavido cuando controle el volumen.

La frase "combustible para vivir la vida Livin' Loud™ a todo volumen" se refiere al entusiasmo por la vida que la marca Kicker de estéreos de automóvil representa y a la recomendación a nuestros clientes de que vivan lo mejor posible ("a todo volumen") en todo sentido. La línea de altavoces y amplificadores Kicker es la mejor del mercado de audio de automóviles y por lo tanto representa el "combustible" para vivir a todo volumen en el área de "estéreos de automóvil" de la vida de nuestros clientes. Recomendamos a todos nuestros clientes que obedezcan todas las reglas y reglamentos locales sobre ruido en cuanto a los niveles legales y apropiados de audición fuera del vehículo.

### **INTERNATIONALE GARANTIE**

#### ***Deutsche Version***

Nehmen Sie mit Ihren internationalen Kicker-Fachhändler oder Vertrieb Kontakt auf, um Details über die Garantieleistungen in Ihrem Land zu erfahren.

WARNUNG: KICKER-Treiber können einen Schallpegel erzeugen, der zu permanenten Gehörschäden führen kann! Wenn Sie ein System auf einen Pegel stellen, der hörbare Verzerrungen erzeugt, schadet das Ihren Ohren mehr, als ein nicht verzerrtes System auf dem gleichen Lautstärkepegel. Die Schmerzschwelle ist immer eine Anzeige dafür, dass der Schallpegel zu laut ist und zu permanenten Gehörschäden führen kann. Seien Sie bei der Lautstärkeinstellung bitte vernünftig!

Der Slogan "Treibstoff für Livin' Loud" bezieht sich auf die mit den Kicker-Autostereosystemen assoziierte Lebensfreude und die Tatsache, dass wir unsere Kunden ermutigen, in allen Aspekten ihres Lebens nach dem Besten ("Livin' Loud") zu streben. Die Lautsprecher und Verstärker von Kicker sind auf dem Markt für Auto-Soundsysteme führend und stellen somit den "Treibstoff" für das Autostereoerlebnis unserer Kunden dar. Wir empfehlen allen unseren Kunden, sich bezüglich der zugelassenen und passenden Lautstärkepegel außerhalb des Autos an die örtlichen Lärmvorschriften zu halten.

### **GARANTIE INTERNATIONALE**

#### ***Versión Française***

Pour connaître les procédures propres à la politique de garantie de votre pays, contactez votre revendeur ou distributeur International Kicker.

AVERTISSEMENT: Les haut-parleurs Kicker ont la capacité de produire des niveaux sonores pouvant endommager l'ouïe de façon irréversible ! L'augmentation du volume d'un système jusqu'à un niveau présentant une distorsion audible endommage davantage l'ouïe que l'écoute d'un système sans distorsion au même volume. Le seuil de la douleur est toujours le signe que le niveau sonore est trop élevé et risque d'endommager l'ouïe de façon irréversible. Réglez le volume en faisant preuve de bon sens !

L'expression " carburant pour vivre plein pot " fait référence au dynamisme de la marque Kicker d'équipements audio pour véhicules et a pour but d'encourager nos clients à faire le maximum (" vivre plein pot ") dans tous les aspects de leur vie. Les haut-parleurs et amplificateurs Kicker sont les meilleurs dans le domaine des équipements audio et représentent donc pour nos clients le " carburant pour vivre plein pot " dans l'aspect " installation audio de véhicule " de leur vie. Nous encourageons tous nos clients à respecter toutes les lois et réglementations locales relatives aux niveaux sonores acceptables à l'extérieur des véhicules.

