

# Pioneer

## Owner's Manual Mode d'emploi Manual do Proprietário

HDMI/USB INTERFACE CABLE FOR iPod/iPhone  
CABLE D'INTERFACE HDMI/USB POUR iPod/iPhone  
CABO INTERFACE HDMI/USB PARA iPod/iPhone

# CD-IH202

### **PIONEER CORPORATION**

1-1, Shin-ogura, Saiwai-ku, Kawasaki-shi,  
Kanagawa 212-0031, JAPAN

### **PIONEER ELECTRONICS (USA) INC.**

P.O. Box 1540, Long Beach, California  
90801-1540, U.S.A.

TEL: (800) 421-1404

### **PIONEER EUROPE NV**

Haven 1087, Keetberglaan 1, B-9120 Melsele,  
Belgium/Belgique

TEL: (0) 3/570.05.11

### **PIONEER ELECTRONICS ASIACENTRE PTE. LTD.**

253 Alexandra Road, #04-01, Singapore 159936

TEL: 65-6472-7555

### **PIONEER ELECTRONICS AUSTRALIA PTY. LTD.**

5 Arco Lane, Heatherton, Victoria, 3202 Australia

TEL: (03) 9586-6300

### **PIONEER ELECTRONICS OF CANADA, INC.**

340 Ferrier Street, Unit 2, Markham, Ontario L3R  
2Z5, Canada

TEL: 1-877-283-5901

TEL: 905-479-4411

### **PIONEER ELECTRONICS DE MEXICO, S.A. de C.V.**

Blvd. Manuel Avila Camacho 138 10 piso  
Col. Lomas de Chapultepec, Mexico, D.F. 11000  
TEL: 55-9178-4270

### 先鋒股份有限公司

台北市內湖區瑞光路 407 號 8 樓

電話 : 886-(0) 2-2657-3588

### 先鋒電子(香港)有限公司

香港九龍長沙灣道 909 號 5 樓

電話 : 852-2848-6488

### **PIONEER DO BRASIL LTDA.**

#### **Escritório de Vendas:**

Rua Treze de Maio, 1633 - 10.º andar,  
CEP 01327-905, São Paulo, SP, Brasil

#### **Fábrica:**

Av. Torquato Tapajós, 4920, Colônia Santo  
Antônio,  
CEP 69093-018, Manaus, AM, Brasil

© 2013 PIONEER CORPORATION.  
All rights reserved.

© 2013 PIONEER CORPORATION.  
Tous droits de reproduction et de traduction  
réservés.

© 2013 PIONEER CORPORATION.  
Todos os direitos reservados.

Printed in Japan  
Imprimé au Japon  
Impresso no Japão

<CRD4727-B> EL

<KOKNF> <13A00000>

# License / Licence / Licenza / Licencia / Lizenz / Licentie / Licença

## English

### **iPod & iPhone**

iPhone, iPod, iPod classic, iPod nano, and iPod touch are trademarks of Apple Inc., registered in the U.S. and other countries.

### **HDMI**

The terms HDMI and HDMI High-Definition Multimedia Interface, and the HDMI Logo are trademarks or registered trademarks of HDMI Licensing, LLC in the United States and other countries.

## Français

### **iPod et iPhone**

iPhone, iPod, iPod classic, iPod nano et iPod touch sont des marques commerciales d'Apple Inc., déposées aux États-Unis et dans d'autres pays.

### **HDMI**

Les termes HDMI et HDMI High-Definition Multimedia Interface ainsi que le logo HDMI sont des marques commerciales ou des marques déposées de HDMI Licensing, LLC aux États-Unis et dans d'autres pays.

## Italiano

### **iPod e iPhone**

iPhone, iPod, iPod classic, iPod nano, e iPod touch sono marchi di Apple Inc., registrati negli Stati Uniti e in altri Paesi.

### **HDMI**

I termini HDMI e HDMI High-Definition Multimedia Interface e il logo HDMI sono marchi commerciali o marchi commerciali registrati negli Stati Uniti e in altri paesi di HDMI Licensing, LLC.

## Español

### **iPod e iPhone**

iPhone, iPod, iPod classic, iPod nano y iPod touch son marcas comerciales de Apple Inc., registradas en los EE. UU. y en otros países.

### **HDMI**

Los términos HDMI y HDMI High-Definition Multimedia Interface y el logotipo HDMI son marcas de fábrica y marcas registradas de HDMI Licensing, LLC en los Estados Unidos y en otros países.

## Deutsch

### **iPod und iPhone**

iPhone, iPod, iPod classic, iPod nano und iPod touch sind in den USA sowie in anderen Ländern eingetragene Marken von Apple Inc.

### **HDMI**

Die Begriffe HDMI und HDMI High-Definition Multimedia Interface sowie das HDMI-Logo sind Marken oder eingetragene Marken von HDMI Licensing, LLC in den Vereinigten Staaten und anderen Ländern.

## Nederlands

### **iPod en iPhone**

iPhone, iPod, iPod classic, iPod nano en iPod touch zijn handelsmerken van Apple Inc., gedeponeerd in de VS en andere landen.

### **HDMI**

De begrippen HDMI en HDMI High-Definition Multimedia Interface, en het HDMI Logo zijn handelsmerken of geregistreerde handelsmerken van HDMI Licensing, LLC in de Verenigde Staten en andere landen.

## Português (B)

### **iPod e iPhone**

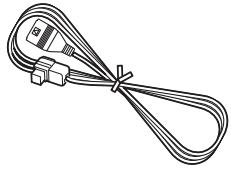
iPhone, iPod, iPod classic, iPod nano e iPod touch são marcas comerciais da Apple Inc., registradas nos EUA e em outros países.

### **HDMI**

Os termos HDMI e HDMI High-Definition Multimedia Interface, assim como o logotipo HDMI, constituem marcas comerciais ou marcas registradas da HDMI Licensing, LLC nos Estados Unidos e em outros países.

# English

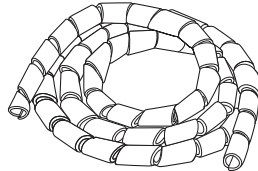
## Parts supplied



USB cable



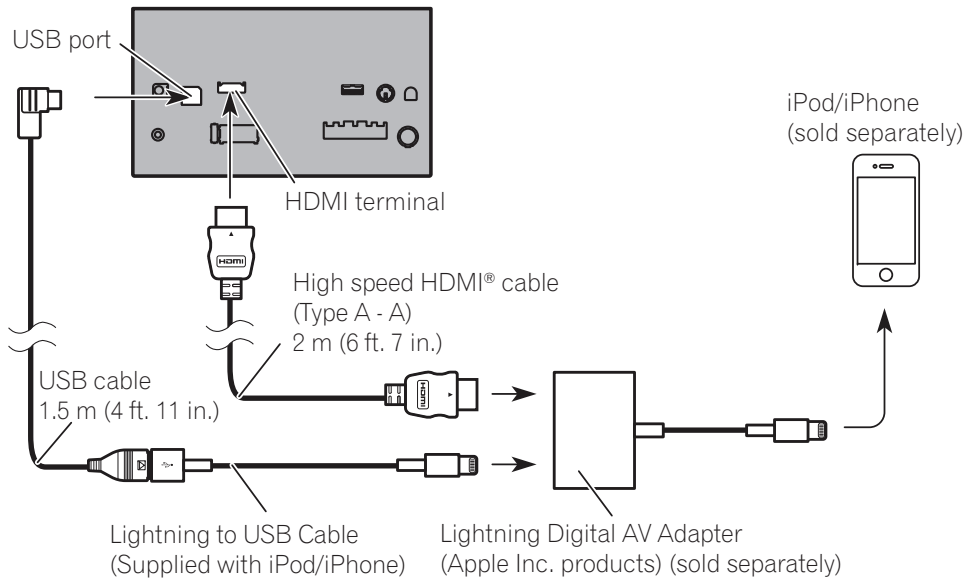
High Speed HDMI® Cable  
(Type A - A)



Spiral cable cover

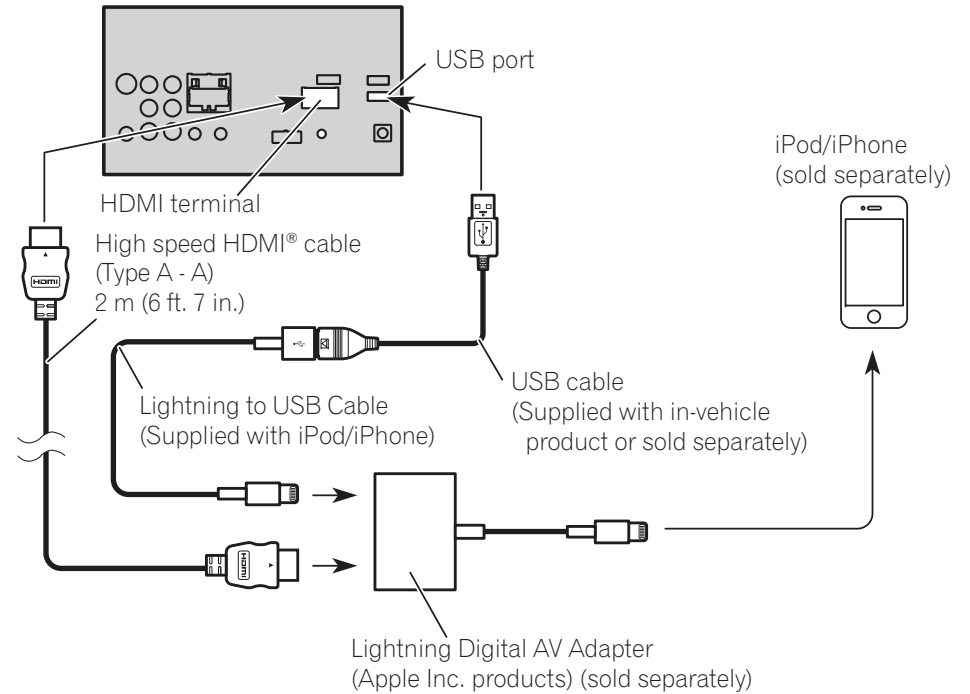
- This product is used in conjunction with Lightning Digital AV Adapter (Apple Inc. products) (sold separately).
- If necessary, use the spiral cable cover to secure the high speed HDMI® cable and Lightning to USB cable (supplied with the iPod/iPhone).
- Use only the cables included in this connectivity kit to ensure proper connection.
- Do not use the cables included in this connectivity kit for other models.
- The USB cable is not always used, depending on the configuration of the back of the in-vehicle product.

## Connecting the in-vehicle product



**Note:**  
The positions of the HDMI terminals and USB port differ depending on the in-vehicle product. For details of the terminals' positions, refer to the manual of each product.

## Connecting the in-vehicle product without using the supplied USB cable



**Note:**  
The positions of the HDMI terminals and USB port differ depending on the in-vehicle product. For details of the terminals' positions, refer to the manual of each product.

## Notes:

- Secure all wiring with cable clamps or electrical tape. Do not allow any bare wiring to remain exposed.
- Route and secure all wiring so it cannot touch any moving parts, such as the gear shift, parking brake and seat rails. Do not route wiring in places that get hot, such as near the heater outlet. If the insulation of the wiring melts or gets torn, there is a danger of the wiring short-circuiting to the vehicle body.
- Secure the High Speed HDMI® Cable using the holder provided with your vehicle's unit.

## Information to User

Alteration or modifications carried out without appropriate authorization may invalidate the user's right to operate the equipment.



If you want to dispose this product, do not mix it with general household waste. There is a separate collection system for used electronic products in accordance with legislation that requires proper treatment, recovery and recycling.

Private households in the member states of the EU, in Switzerland and Norway may return their used electronic products free of charge to designated collection facilities or to a retailer (if you purchase a similar new one). For countries not mentioned above, please contact your local authorities for the correct method of disposal. By doing so you will ensure that your disposed product undergoes the necessary treatment, recovery and recycling and thus prevent potential negative effects on the environment and human health.

## WARNING:

Handling the cord on this product or cords associated with accessories sold with the product may expose you to chemicals listed on proposition 65 known to the State of California and other governmental entities to cause cancer and birth defect or other reproductive harm.

***Wash hands after handling.***

## Important safeguards

This manual explains how to connect the in-vehicle product via the connectivity kit. For details of the operation of the connected product, refer to another manual.

- Read this manual fully and carefully before installing this product.
- Keep this manual handy for future reference.
- Pay close attention to all warnings in this manual and follow the instructions carefully.
- Do not install this product where it may (i) obstruct the driver's vision, (ii) impair the performance of any of the vehicle's operating systems or safety features, including airbags, hazard lamp buttons, or (iii) impair the driver's ability to safely operate the vehicle. In some cases, it may not be possible to install this product because of the vehicle type or the shape of the vehicle interior.
- Make sure that the cables and wires are routed and secured so they will not interfere with or become caught in any of the vehicle's moving parts, especially the steering wheel, shift lever, parking brake, sliding seat tracks, doors, or any of the vehicle's controls.

## Note:

Specifications and design are subject to possible modifications without notice due to improvements.